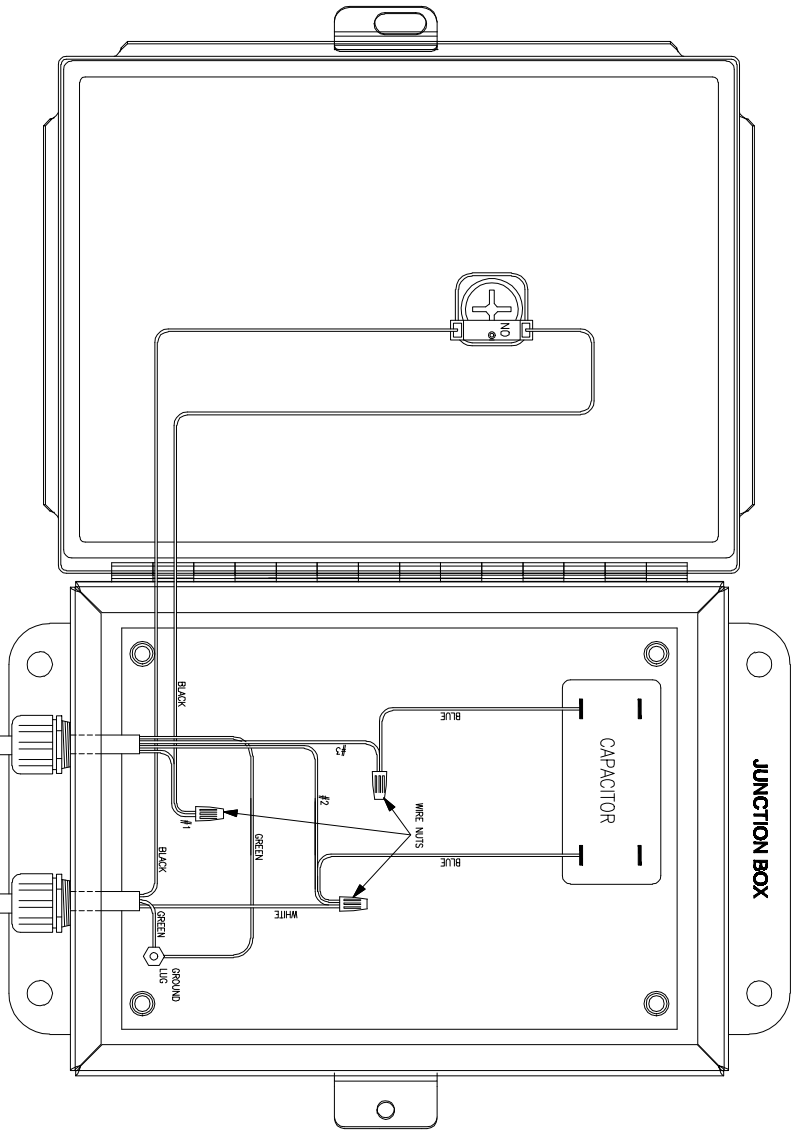
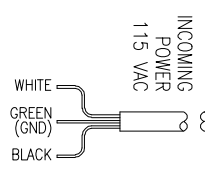
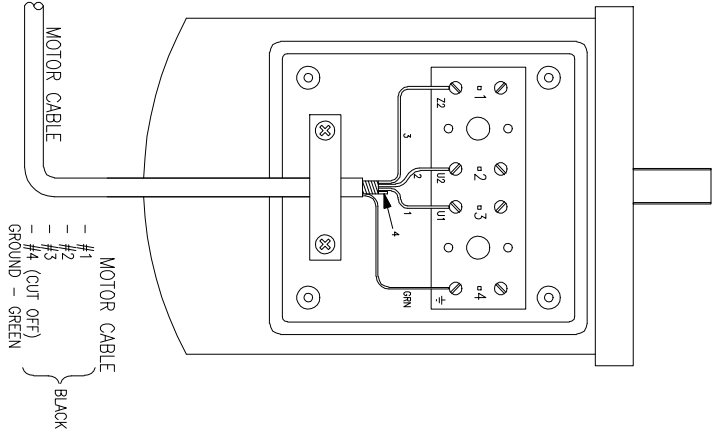


6 5 4 3 2 1



NOTE:  
 TO REVERSE ROTATION, MOVE  
 WHITE WIRE FROM #2 TO #3  
 (OR VICE VERSA) IN THE MAIN  
 JUNCTION BOX.

**MOTORS:** 425  
 540  
 590



**Confidentiality:** This drawing is the sole property of Direct Conveyors, LLC and furnished for quoting or manufacturing process only, exclusively for Direct Conveyors, LLC. It is understood that no reproductions or distribution of this drawing or information contained within to any other party is permitted without expressed written consent of Direct Conveyors, LLC

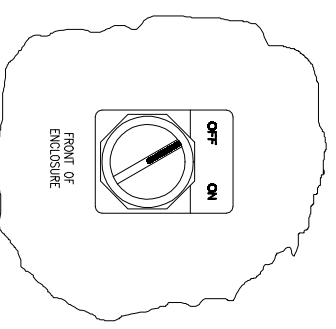
Designed by PW	Checked by PW	Approved by PW	Date 08/25/2011
-------------------	------------------	-------------------	--------------------

**Direct Conveyors LLC**

**115 VAC CONSTANT SPEED WIRING DIAGRAM**

WITH ON/OFF SELECTOR SWITCH

Edison Sheet  
1 1 / 1



6 5 4 3 2 1